



▶ **LIGHT WEIGHT & SMALLER**



▶ **COSTS LESS**



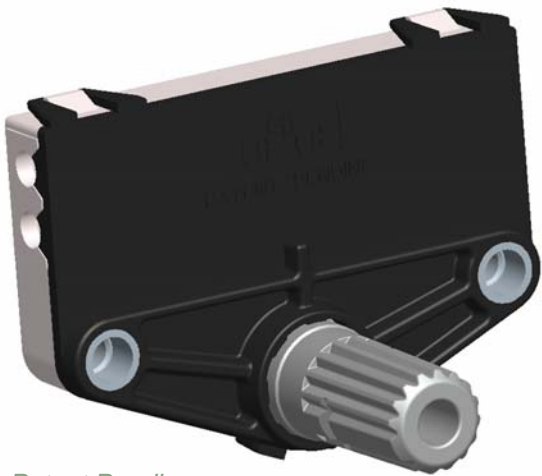
▶ **LOW EFFORT**

# Innovation *focus*

*Focusing efforts on providing new products to fit broad industry needs. GRC is pleased to present the patent*

## R3 — Remote Recline Release

# Helping you achieve your goals

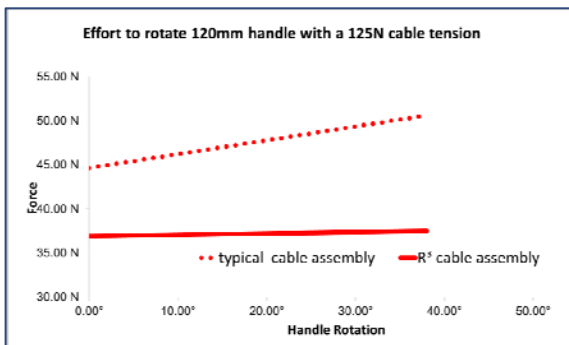


*Patent Pending*

If you are looking for a ready-for-production actuator to remotely adjust comfort in a seat, GRC has developed a smarter solution that is smaller, lighter, more efficient and will save you money.

achieve your goals. Our Sales and Engineering personnel are available to meet with you to discuss your interest in this new product..

With optional inserts and spacers this solution is multi-handed and multi-cable readied. Covering a broad range of rotation and travel requirements it can easily and quickly be configured to meet a large range of seat systems. The R3 actuator has also proven to consistently achieve excellent durability results in demanding temperature environments. With little to no investment required, GRC is helping you to



For more information contact:  
GRC Sales: (Phone) 616-884-7105  
E-mail: [info@grcontrols.com](mailto:info@grcontrols.com)

**GRC** Grand Rapids Controls™

Where it all comes together